

Delta Membrane Systems Ltd

Delta House
Merlin Way
North Weald, Epping
Essex CM16 6HR

Tel: 01992 523523 Fax: 01992 523250
e-mail: info@deltamembranes.com
website: www.deltamembranes.com



Agrément Certificate
00/3742
Product Sheet 3

DELTA MEMBRANE SYSTEMS

DELTA-PT

This Certificate relates to Delta-PT, a moulded HDPE membrane incorporating a polypropylene mesh as a key for plaster, render or dry lining applied on plaster dabs, for use in new construction or existing buildings. It is used for waterproofing and damp-proofing on walls and vaulted ceilings, above or below ground, over a contaminated or damp background. It can also be used externally as a waterproof support for render.

CERTIFICATION INCLUDES:

- factors relating to compliance with Building Regulations where applicable
- factors relating to additional non-regulatory information where applicable
- independently verified technical specification
- assessment criteria and technical investigations
- design considerations
- installation guidance
- regular surveillance of production
- formal three-yearly review.



KEY FACTORS ASSESSED

Resistance to water and water vapour — the membrane is water resistant and has a high resistance to water vapour transmission (see section 6).

Resistance to salt transfer — the membrane provides an effective barrier to the transmission of salts or other contaminants from the substrate (see section 8).

Resistance to impact — the membrane, plastered, rendered or dry-lined, has a satisfactory resistance to soft and hard body impacts (see section 9).

Durability — under normal conditions of use the system will provide an effective barrier to the transmission of salts, liquid water and water vapour for the life of the structure in which it is incorporated (see section 12).

The BBA has awarded this Agrément Certificate to the company named above for the product described herein. The product has been assessed by the BBA as being fit for its intended use provided it is installed, used and maintained as set out in this Certificate.

On behalf of the British Board of Agrément

A handwritten signature in black ink, appearing to read 'Simon Wroe'.

A handwritten signature in black ink, appearing to read 'Claire Curtis-Thomas'.

Date of Fourth issue: 19 November 2013

Simon Wroe

Claire Curtis-Thomas

Originally certificated on 24 November 2000

Head of Approvals — Materials

Chief Executive

The BBA is a UKAS accredited certification body — Number 113. The schedule of the current scope of accreditation for product certification is available in pdf format via the UKAS link on the BBA website at www.bbacerts.co.uk

Readers are advised to check the validity and latest issue number of this Agrément Certificate by either referring to the BBA website or contacting the BBA direct.

British Board of Agrément
Bucknalls Lane
Watford
Herts WD25 9BA

©2013

tel: 01923 665300
fax: 01923 665301
e-mail: mail@bba.star.co.uk
website: www.bbacerts.co.uk

Regulations

In the opinion of the BBA, Delta-PT, if used in accordance with the provisions of this Certificate, will meet or contribute to meeting the relevant requirements of the following Building Regulations (the presence of a UK map indicates that the subject is related to the Building Regulations in the region or regions of the UK depicted):



The Building Regulations 2010 (as amended) (England and Wales)

For new construction and a 'Material Change of Use' of an existing building, as defined in Regulation 5a

Requirement:	C2(a)(b)	Resistance to moisture
Comment:		The system adequately resists the passage of moisture. See section 6.1 of this Certificate.
Regulation:	7	Materials and workmanship
Comment:		The system is acceptable. See section 12 and the <i>Installation</i> part of this Certificate.



The Building (Scotland) Regulations 2004 (as amended)

For new construction and a 'Conversion' of an existing building, as defined in Regulation 4

Regulation:	8(1)	Fitness and durability of materials and workmanship
Comment:		The system is acceptable. See section 12 and the <i>Installation</i> part of this Certificate.
Regulation:	9	Building standards applicable to construction
Standard:	3.3	Flooding and ground water
Comment:		The system can contribute to minimising or eliminating the effects of flooding on the building fabric and/or the building element, with reference to clause 3.3.1 ⁽¹⁾⁽²⁾ . See section 6.1 of this Certificate.
Standard:	3.4	Moisture from the ground
Comment:		The system adequately resists the passage of moisture, with reference to clauses 3.4.1 ⁽¹⁾⁽²⁾ , 3.4.2 ⁽¹⁾⁽²⁾ , 3.4.5 ⁽¹⁾⁽²⁾ , 3.4.6 ⁽¹⁾⁽²⁾ and 3.4.7 ⁽¹⁾⁽²⁾ . See section 6.1 of this Certificate.
Standard:	3.6(a)	Surface water drainage
Comment:		The system can contribute to satisfying this Standard, with reference to clause 3.6.3 ⁽¹⁾⁽²⁾ . See section 6.1 of this Certificate.
Standard:	3.10	Precipitation
Comment:		The system adequately resists the passage of moisture, with reference to clause 3.10.1 ⁽¹⁾⁽²⁾ . See section 6.1 of this Certificate.
Standard:	7.1(a)	Statement of sustainability
Comment:		The product/system can contribute to meeting the relevant Requirements of Regulation 9, Standards 1 to 6 and therefore will contribute to a construction meeting a bronze level of sustainability as defined in this Standard.
Regulation:	12	Building standards applicable to conversions
Comment:		All comments given for this system under Regulation 9, also apply to this Regulation, with reference to clause 0.12.1 ⁽¹⁾⁽²⁾ and Schedule 6 ⁽¹⁾⁽²⁾ . (1) Technical Handbook (Domestic). (2) Technical Handbook (Non-Domestic).



The Building Regulations (Northern Ireland) 2012

For new construction and a 'Material Change of Use' of an existing building, as defined in Regulation A9

Regulation:	23(a)(i)(iii)(b)(i)	Fitness of materials and workmanship
Comment:		The system is acceptable. See section 12 and the <i>Installation</i> part of this Certificate.
Regulation:	28(a)(b)	Resistance to moisture and weather
Comment:		The system adequately resists the passage of moisture. See section 6.1 of this Certificate.

Construction (Design and Management) Regulations 2007

Construction (Design and Management) Regulations (Northern Ireland) 2007

Information in this Certificate may assist the client, CDM co-ordinator, designer and contractors to address their obligations under these Regulations.

See section: 1 *Description* (1.2) of this Certificate.

Additional Information

NHBC Standards 2013

NHBC accepts the use of Delta-PT, when installed and used in accordance with this Certificate, in relation to *NHBC Standards*, Chapter 5.1 *Substructure and ground bearing floors*, 5.2 *Suspended ground floors* and 6.1 *External masonry walls*.

CE marking

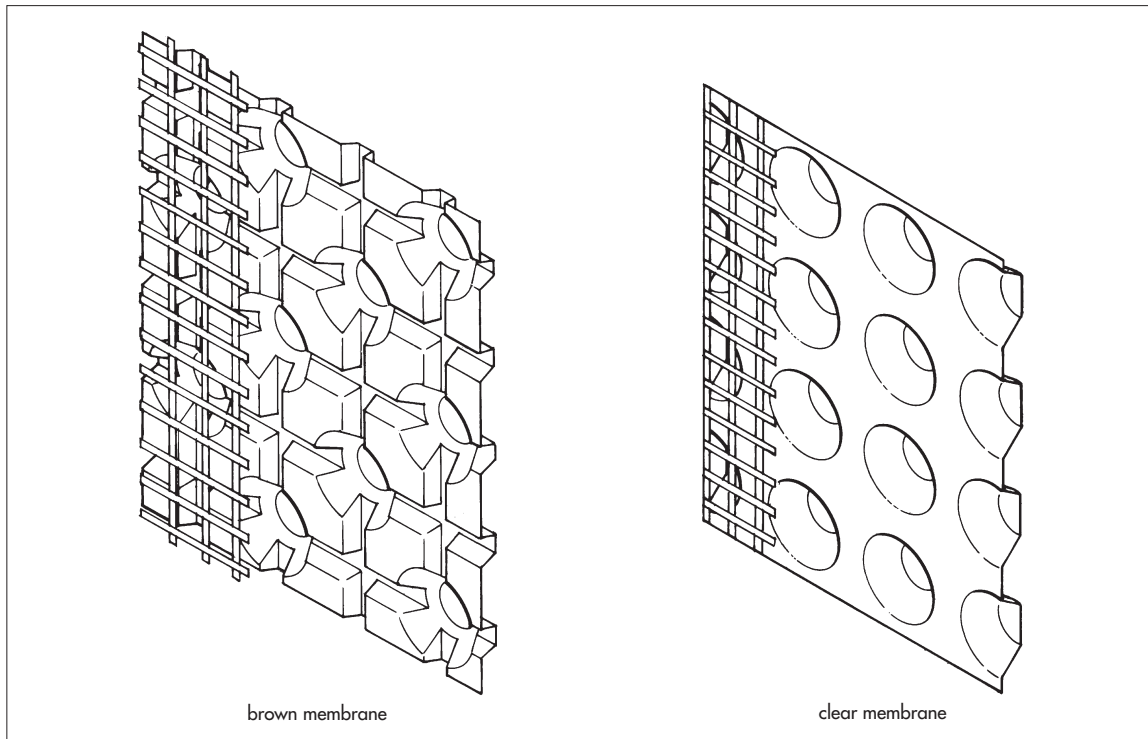
The Certificate holder has taken the responsibility of CE marking the products in accordance with harmonised European Standard EN 13967 : 2012. An asterisk (*) appearing in this Certificate indicates that data shown is given in the manufacturer's Declaration of Performance.

Technical Specification

1 Description

1.1 Delta-PT membrane is a brown or clear, high-density polyethylene (HDPE) sheet with moulded studs. It has a woven polypropylene mesh thermally bonded to the membrane on the face side to form a key for plaster and render finishes (see Figure 1).

Figure 1 The membrane



1.2 The membrane is available in the following dimensions:

Thickness (mm)	0.5
Stud height (mm)	8.0
Weight per unit area ($\text{kg}\cdot\text{m}^{-2}$)	0.5
Roll size (m)*	1.5 x 10 ⁽¹⁾ and 2.0 x 20 ⁽²⁾
Weight per roll (kg)	9 and 24
Air gap volume ($\text{l}\cdot\text{m}^{-2}$)	5.5

(1) Includes a 100 mm mesh-free area for overlapping sheets.

(2) Includes a 200 mm mesh-free area for overlapping sheets.

1.3 Ancillary items used with the membrane include:

- Flexidri-Plus — a plastic plug supplied with preformed rubber seal and plastic expansion pin. After fixing, the pin is inserted into the hollow shaft of the plug and hammered home. This slightly expands the shaft and provides a more secure fixing. The pin will accept a 5 mm diameter screw to enable a secondary fixing
- Delta-PT Plug — white, polypropylene fixing plug with a grooved shank for use in masonry walls and concrete. This plug requires butyl rope to be applied around the shank before use (see Figure 3)
- Delta-PT Plug with grommet — white, polypropylene fixing plug supplied with preformed rubber seal for use in masonry walls and concrete (see Figure 2)
- Delta Qwik-Seal Plug — a plastic plug supplied with preformed rubber seal for use in masonry walls and concrete (see Figure 4)
- Delta-PT Profile — a plastic edging strip to assist ventilation of the rear face of the membrane, and to act as a plaster stop
- Delta Tape — black butyl tape for sealing joints in the membrane
- Delta Rope — black butyl beading for sealing the membrane around pipes and openings, joining floor and wall membranes, and to seal around the head of the Delta-PT Plugs prior to fixing the membrane
- Delta Mastic — an acrylic sealant for sealing the membrane around pipes and openings

- Delta Corner Strip — a self-adhesive membrane strip for sealing junctions between walls and floors, and for sealing joints at corners
- Delta Fleece-Tape — 100 mm wide butyl tape with fleece backing for sealing joints in the membrane. The fleece backing will form a bond with the plaster when used with meshed membranes
- Delta Primer — a solvent-based primer for sealing porous substrates prior to application of the Delta range of butyl-based sealing products.

Figure 2 Delta-PT Plug with grommet fixing detail

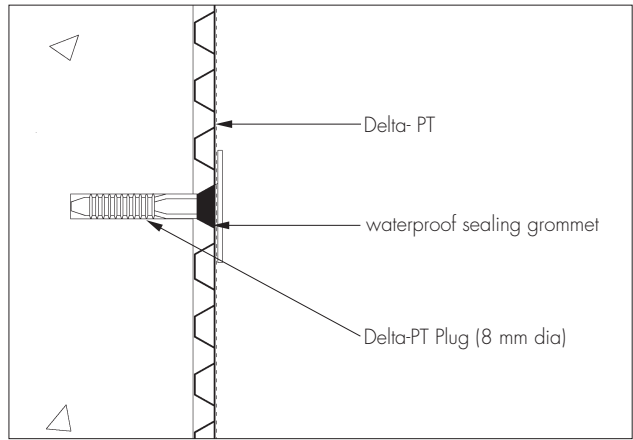


Figure 3 Delta-PT Plug fixing detail

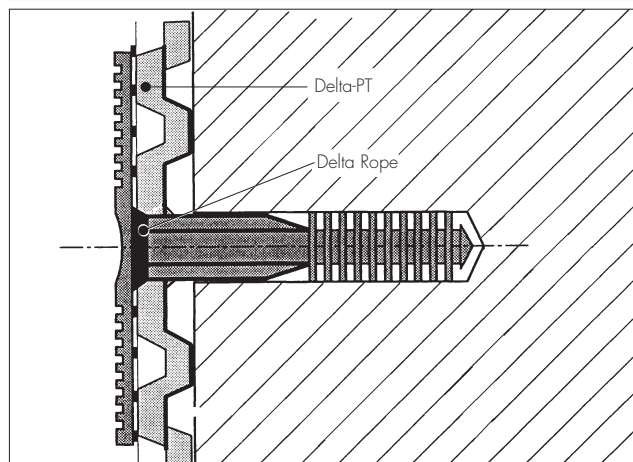
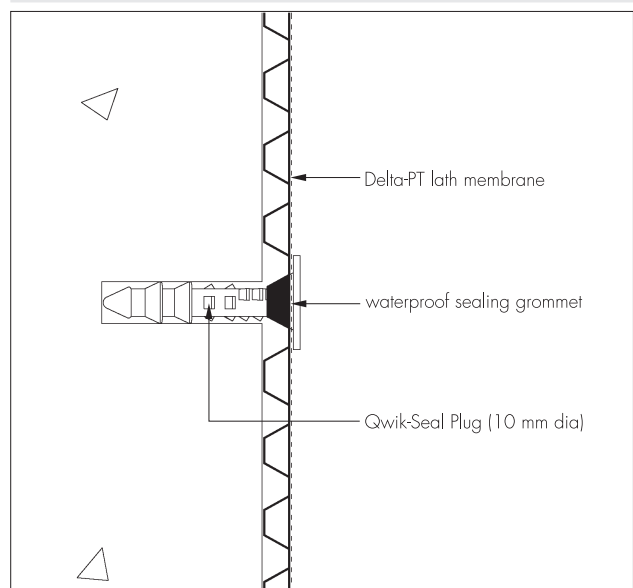


Figure 4 Delta Qwik-Seal Plug fixing detail



2. Manufacture

2.1 The membrane is formed in a continuous process in which HDPE is extruded into sheets and the studs impression formed. A woven polypropylene mesh is then thermally welded onto the face side of the membrane.

2.2 As part of the assessment and ongoing surveillance of product quality, the BBA has:

- agreed with the manufacturer the quality control procedures and product testing to be undertaken
- assessed and agreed the quality control operated over batches of incoming materials
- monitored the production process and verified that it is in accordance with the documented process
- evaluated the process for management of nonconformities
- checked that equipment has been properly tested and calibrated
- undertaken to carry out the above measures on a regular basis through a surveillance process, to verify that the specifications and quality control operated by the manufacturer are being maintained.

3 Delivery and site handling

3.1 The membrane is delivered to site in rolls secured with outer wrapping, and a headband bearing the product and manufacturer's name.

3.2 Rolls should be stored on end, under cover and protected from sharp objects, sunlight and high temperatures.

3.3 The packaging details of the ancillary items are shown in Table 1.

Item	Dimensions/volume	Packaging/quantity
Delta-PT Plug with grommet	8 mm diameter 52 mm long	Boxes of 250
Delta-PT Plug	8 mm diameter 52 mm long	Boxes of 250 or 2000
Flexidri-Plus Fixing Plug	10 mm diameter 90 mm long	Boxes of 100
Delta Qwik-Seal Plug	10mm diameter 58mm long	Boxes of 100
Delta-PT Profile	2 m strips	Single or bundles of 20
Delta Tape	22.5 m long 28 mm wide 2 mm thick	1 roll per box 10 rolls per outer box
Delta Rope	4.75 m long 10 mm diameter	1 roll per box 10 rolls per outer box
Delta Mastic	0.4 litre cartridge	24 cartridges per box
Delta Corner Strip	20 m long 150 mm wide	Single rolls 4 rolls per box
Delta Fleece-Tape	20 m long 100 mm wide 0.9 mm thick	1 roll per box
Delta Primer	10 litre	Single 10 litre tin

3.4 Delta Primer is classified as 'harmful' and 'flammable' under *The Chemicals (Hazard Information and Packaging for Supply) Regulations 2009 (CHIP4)/Classification, Labelling and Packaging of substances and mixtures (CLP Regulations) 2009* and should be stored in a cool place away from naked flames.

Assessment and Technical Investigations

The following is a summary of the assessment and technical investigations carried out on Delta-PT.

Design Considerations

4 Use

4.1 Delta-PT is satisfactory for use to waterproof and damp-proof internal and external walls, and vaulted ceilings, above and below ground, in new construction or in existing buildings over a contaminated or damp background. It can support plastering, rendering or a dry lining fixed by plaster dabs (where appropriate) in the following situations:

- on damp walls in underground situations subject to high groundwater levels, and perennial moisture
- on vaulted ceilings of archways or cellars subject to water ingress
- in conjunction with a remedial dpc system where the walls have a high salt content, and/or it is necessary to complete the installation immediately without allowing a period for initial drying

- over walls which have a friable or painted surface, are contaminated with oil or mould, or have a high salt content
- as a waterproofing membrane in areas subject to vibration.

4.2 Depending on the application required and the site conditions, the membrane may be used as:

- a dry lining for walls, ventilated into the room via aeration slots at the top and bottom of the wall or via passive air vents, where access through an external wall is available
- a sealed system covering wall, floor and ceiling with provision made for disposing of water build-up behind the membrane via a sump and pump.

4.3 The membrane has not been assessed for use in chemically contaminated areas, such as brownfield sites.

4.4 The membrane consists of 0.5 mm thick HDPE and, in the opinion of the BBA, meets the requirement for a radon barrier according to BRE Report (BR 211 : 2007) *Radon : guidance on protective measures for new buildings*. However, the effectiveness of the joint sealing system used with Delta-PT has not been assessed against radon by the BBA and is outside the scope of this Certificate.

4.5 The system is satisfactory for use in Type C (drained protection) constructions in accordance with BS 8102 : 2009.

5 Practicability of installation

The membrane should only be installed by installers who have been trained and approved by the Certificate holder, or by competent specialist contractors.

6 Resistance to water and water vapour



6.1 The membrane is water resistant and has a high resistance to water vapour transmission. However, the system as installed is not resistant to hydrostatic pressure and, consequently, the measures described in the *Installation* part of this Certificate must be followed to ensure that the membrane acts as a drainage layer with no excessive build-up of water behind the system.

6.2 All joints and fixings must be sealed with Delta sealing products, and drainage channels and gullies, or sumps and pumps should be installed as necessary to disperse excess or standing water.

7 Risk of condensation

7.1 As with any room, there is a need to control the generation and dispersal of moisture in the internal environment and to select appropriate and robust designs to minimise the risk of both surface and interstitial condensation, especially where lining boards backed by an insulating layer are used, fixed to the membrane using adhesive dabs.

7.2 In this case the membrane (which has a very high resistance to vapour diffusion) will be on the cold side of the construction, which may increase the risk of interstitial condensation. A calculation should be carried out to BS 5250 : 2011 and designers should consider appropriate techniques for managing the safe egress of moisture vapour with care (such as control of the internal room environment or the use of a vapour control layer on the warm side of the insulation) and in particular the effect of moisture on any materials at, or in contact with materials below, the local dew-point.

8 Resistance to salt transfer

The membrane provides an effective barrier to the transmission of salts or other contaminants from the substrate.

9 Resistance to impact

The membrane plastered, rendered or dry lined, has a satisfactory resistance to soft and hard body impacts.

10 Wall-mounted fittings

Wall-mounted fittings (apart from lightweight items such as framed pictures) should be fixed (using recommended proprietary fixings) through the membrane and lining board, plaster or render to the loadbearing structure behind. Holes made in the membrane must be filled with a flexible sealant before inserting the fixing.

11 Maintenance

11.1 As the membrane is covered by plaster, render or plasterboard and has suitable durability (see section 12), maintenance is not required.

11.2 Regular maintenance of all gullies, sumps and pumps must be conducted to ensure that a build-up of water does not occur behind the membrane.

12 Durability



Under normal conditions of use the system will provide an effective barrier to the transmission of salts, liquid water and water vapour for the life of the structure in which it is incorporated.

13 Reuse and recyclability

The product comprises high density polyethylene, which can be recycled.

14 Survey

14.1 Where the property is below ground, or where conditions are damp, a full survey is necessary by a specialist waterproofing surveyor to diagnose the cause and to establish if treatment is required.

14.2 If rising damp to above ground elevations is found, a remedial treatment is conducted in accordance with the relevant Agrément Certificate, BS 6576 : 2005 and the Property Care Association *Code of Practice for Installation of Remedial Damp-proof Courses in Masonry Walls*, 2006.

14.3 Appropriate remedial measures are taken to rectify major causes of damp conditions or water ingress, and to repair structural defects.

15 Surface preparation

15.1 When used in existing buildings any unsound plaster, render or screed is removed to expose the substrate and cleaned with a stiff brush to remove loose material, laitance, salt residue, mould or adhesive. If mould is present the substrate is treated with a fungicidal wash.

15.2 Uneven substrates should be dubbed out with a cement-sand (1:4) or cement-lime-sand (1:1:6) render, to achieve a flat finish. They should be allowed to dry thoroughly before the Delta-PT membrane is installed.

16 Procedure

General

16.1 Delta-PT may be used in combination with any of the appropriate Delta membranes which are the subject of other Product Sheets of this Certificate.

16.2 Internally, the membrane should always be used with the lower sheet placed in front of the higher sheet. Externally, the lower sheet should always be placed behind the higher sheet.

16.3 Fixings are made through the membrane into holes drilled centrally through the studs to a depth of at least 55 mm. When using Delta-PT Plugs with grommet, drill an 8 mm diameter hole, and when using Delta Qwik-Seal Plugs or Flexidri-Plus Plugs drill a 10 mm diameter hole. Insert the plugs into the holes and hammer flush with the membrane using a club hammer. When using the Flexidri-Plus Plug, the fixing pin should be inserted into the shaft and hammered home. The seal must be compressed to function as a barrier against water ingress, and this should be visually checked as each plug is fixed. Alternatively, Delta-PT Plugs (to which Delta Rope has been applied around the shaft, next to the head) are inserted into the holes and hammered flush with the membrane. The Delta Rope forms a sealing gasket between the plug and the membrane.

16.4 Fixings are made at a maximum spacing of 250 mm for internal plastered or dry-lined situations, and a maximum of 150 mm for external rendered situations.

16.5 Joints between membranes are formed in two ways. If the unmeshed edge of a sheet is used, then an overlap of at least 100 mm is used, with fixings made through both membranes and substrate, and the sheets sealed with Delta Rope, Tape or Mastic. If the unmeshed edge is not available, then an overlap between sheets of 200 mm is used and sealed with Delta Mastic, or oversealed with Delta Fleece-Tape.

16.6 Where appropriate, at wall/floor junctions and corners of the installation, the membrane may be cut flush and the gap between the wall and floor membranes sealed with Delta Fleece-Tape. Alternatively, the floor membrane may be turned up by 100 mm at the wall, and oversealed with Delta Fleece-Tape.

16.7 Where internal or external corners occur, these should be oversealed using Delta Fleece-Tape, in accordance with the Certificate holder's installation instructions.

16.8 On difficult substrates, the use of the translucent membrane allows the contractor to view the substrate through the membrane and choose the optimum site for each fixing.

Walls

16.9 Installation of the membrane is usually commenced at the top of the construction. The membrane may require initial fixing on a ceiling or along the upper edge of a wall, prior to final fixing. For above ground installations, ventilation gaps of 10 mm are left at ceiling and floor level and finished using Delta-PT Profile (see Figures 5 and 6).

Figure 5 Skirting details

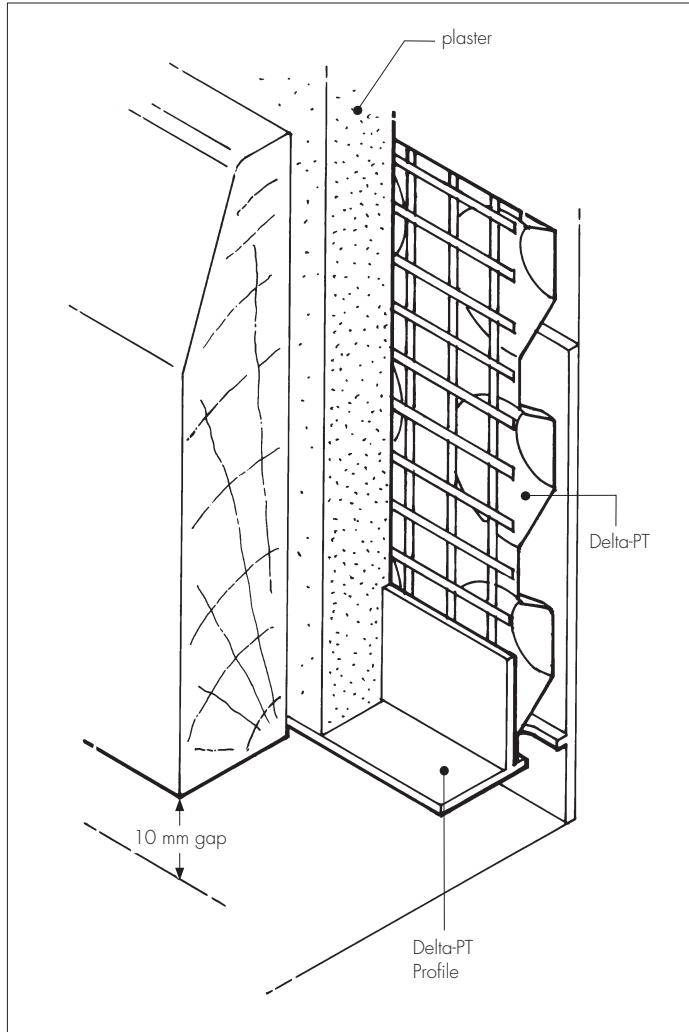
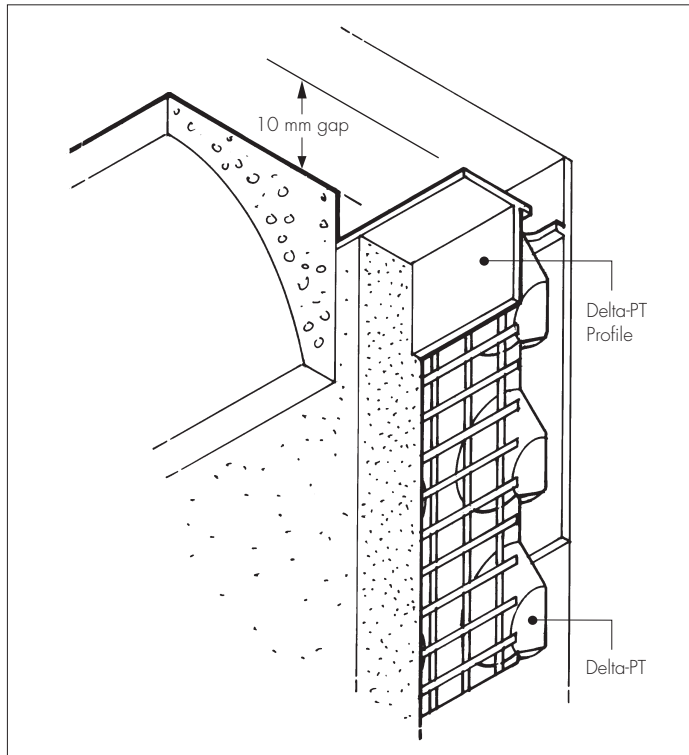


Figure 6 Coving details



16.10 Where there is access to an external wall, the cavity behind the membrane may be vented via air bricks or passive vents. In this case the internal ventilation gaps shown in Figures 3 and 4 may not be necessary.

16.11 The installation is conducted over windows and the membrane is cut away to expose them. The gaps are then sealed with Delta Tape or Delta Rope.

16.12 For doors and some obstructions the technique covered in section 16.11 cannot be used. Instead, the membrane is installed up to the perimeter and the gap sealed in the same manner.

16.13 Power cables, points and light switches preferably should be remounted in front of the membrane.

Ceilings

16.14 Ceilings to be covered must always have a fall, as per vaulted cellar constructions, to ensure water does not lie against the membrane or a joint. Membrane sheets should have an overlap of 200 mm.

16.15 Delta Qwik-Seal Plugs, Flexidri-Plus Plugs or Delta Plugs sealed with butyl rope should be used to fix the membrane to vaulted ceilings. Any sagging of the membrane between fixing points on ceilings should not be great enough for ponding to occur.

16.16 At the end walls of vaulted constructions the membrane must be turned down onto the end wall by a minimum 200 mm. The membrane is mitred as necessary to fit the curve of the ceiling, and the joint sealed with Delta Rope. The wall membrane should be cut into the curve of the ceiling, fixed in front of the ceiling membrane, and the gap sealed with Delta Rope.

17 Plastering

17.1 The membrane should be plastered with a plaster recommended by the Certificate holder in accordance with BS 8481 : 2006, BS EN 13914-2 : 2005 and/or the appropriate BBA Certificate.

17.2 The plaster should be a minimum total depth of 15 mm, applied in accordance with the manufacturer's instructions

18 Rendering

18.1 Where Delta-PT has been used externally, it must be rendered with a cement:lime:sand (1:1:6) mix applied to a total thickness of 20 mm in accordance with BS 8481 : 2006.

18.2 The render should be applied in three coats, allowing 7 to 10 days between coats.

18.3 Owing to the difference in thermal characteristics between Delta-PT and the render, expansion joints through the render to the membrane must be trowelled in along each lap joint to reduce the possibility of cracking. The joints must be filled with a suitable flexible polymer-based sealant.

18.4 A proprietary polymer/fibre modified render may be used, applied in two coats to a minimum thickness of 25 mm. In such cases, expansion joints must be provided in accordance with recommendation from the Certificate holder and render manufacturer.

18.5 Using the Delta-PT Profile, a 5 mm ventilation gap at the top, and at least 10 mm at the bottom, should be left to assist ventilation of the air gap behind the membrane.

18.6 Where a sand-cement mix is to be used internally, two coats 7 to 8 mm thick are applied, finished with a 3 mm thick gypsum-based skim coat.

19 Dry lining of walls

19.1 A gypsum-based drywall adhesive to BS EN 14496 : 2005 is mixed and applied in vertical strips over the fixing centres and in bands along the top and bottom of the membrane. The adhesive dabs are applied to a minimum thickness of 8 mm and should cover a minimum of 50% of the membrane.

19.2 Gypsum plasterboards to BS EN 520 : 2004, or similar dry lining boards which are the subject of a current BBA Certificate, are pressed onto the adhesive dabs and jointed in the usual manner. Temporary spacers approximately 25 mm high are positioned under the dry lining to support it during the cure period.

20 Finishing works

20.1 In above-ground installations, skirting boards are fixed to the finished walls with a 10 mm gap between the skirting and the floor, and ceiling covings are fixed with a 10 mm gap between the coving and the ceiling, to assist ventilation (see Figures 5 and 6). Alternatively, a proprietary ventilated skirting board or ceiling coving can be used. Where the system is vented through an external wall, (see section 16.10), these gaps will not be necessary.

20.2 After the system has been installed and the walls dry lined, permanent decorations, such as vinyl paper or oil paint, may be applied. Temporary permeable decorations (necessary with traditional, cement-based waterproofers) are not necessary for use with this system.

21 Tests

21.1 An assessment was made of data to BS EN 13967 : 2004 in relation to:

- mass per unit area of membrane
- watertightness of membrane to liquid water
- resistance to impact
- water vapour transmission of the membrane
- resistance to static loading
- durability of watertightness against heat ageing
- durability of watertightness against chemicals
- tensile strength of membrane
- elongation of membrane
- reaction to fire

21.2 Tests were carried out and the results evaluated, to determine:

- impact resistance of plastered and rendered membrane
- bond strength of mesh to membrane.

22 Investigations

22.1 A user survey of treated installations and contractors was conducted to establish the system's performance in use.

22.2 Trial installations were conducted to assess the practicability of installation of the system and the methods used for plastering and rendering.

22.3 An assessment was made of the scope of use and durability of the system in relation to the generic properties of the membrane and investigations carried out previously on the Delta-MS500 membrane.

22.4 The manufacturing process and quality control procedures were evaluated and details were obtained of the quality and composition of the materials used.

Bibliography

BS 6576 : 2005 *Code of practice for diagnosis of rising damp in walls of buildings and installation of chemical damp-proof courses*

BS 8102 : 2009 *Code of practice for protection of below ground structures against water from the ground*

BS 8481 : 2006 *Design, preparation and application of internal gypsum, cement, cement and lime plastering systems — Specification*

BS EN 520 : 2004 *Gypsum plasterboards — Definitions, requirements and test methods*

BS EN 13914-2 : 2005 *Design, preparation and application of external rendering and internal plastering — Design considerations and essential principles for internal plastering*

BS EN 14496 : 2005 *Gypsum based adhesives for thermal/acoustic insulation composite panels and plasterboards — Definitions, requirements and test methods*

Property Care Association COP02 *Code of Practice for Installation of Remedial Damp-proof Courses in Masonry Walls*

23 Conditions

23.1 This Certificate:

- relates only to the product/system that is named and described on the front page
- is issued only to the company, firm, organisation or person named on the front page — no other company, firm, organisation or person may hold or claim that this Certificate has been issued to them
- is valid only within the UK
- has to be read, considered and used as a whole document — it may be misleading and will be incomplete to be selective;
- is copyright of the BBA
- is subject to English Law.

23.2 Publications, documents, specifications, legislation, regulations, standards and the like referenced in this Certificate are those that were current and/or deemed relevant by the BBA at the date of issue or reissue of this Certificate.

23.3 This Certificate will remain valid for an unlimited period provided that the product/system and its manufacture and/or fabrication, including all related and relevant parts and processes thereof:

- are maintained at or above the levels which have been assessed and found to be satisfactory by the BBA
- continue to be checked as and when deemed appropriate by the BBA under arrangements that it will determine
- are reviewed by the BBA as and when it considers appropriate.

23.4 The BBA has used due skill, care and diligence in preparing this Certificate, but no warranty is provided.

23.5 In issuing this Certificate, the BBA is not responsible and is excluded from any liability to any company, firm, organisation or person, for any matters arising directly or indirectly from:

- the presence or absence of any patent, intellectual property or similar rights subsisting in the product/system or any other product/system
- the right of the Certificate holder to manufacture, supply, install, maintain or market the product/system
- actual installations of the product/system, including their nature, design, methods, performance, workmanship and maintenance;
- any works and constructions in which the product/system is installed, including their nature, design, methods, performance, workmanship and maintenance
- any loss or damage, including personal injury, howsoever caused by the product/system, including its manufacture, supply, installation, use, maintenance and removal.
- any claims by the manufacturer relating to CE marking.

23.6 Any information relating to the manufacture, supply, installation, use, maintenance and removal of this product/system which is contained or referred to in this Certificate is the minimum required to be met when the product/system is manufactured, supplied, installed, used, maintained and removed. It does not purport in any way to restate the requirements of the Health and Safety at Work etc. Act 1974, or of any other statutory, common law or other duty which may exist at the date of issue or reissue of this Certificate; nor is conformity with such information to be taken as satisfying the requirements of the 1974 Act or of any statutory, common law or other duty of care.

